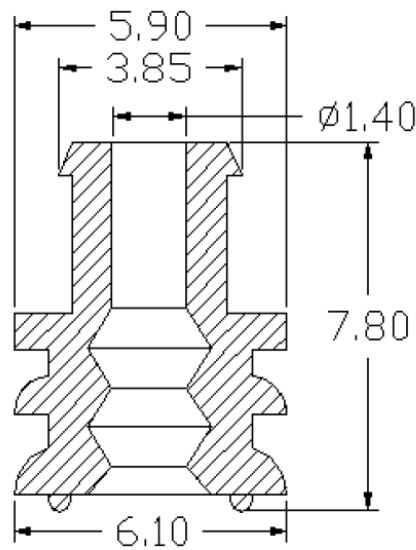


**SEAL HY1153**



Standard Tolerance Chart

Size	Tolerance
1-3mm <	±0.30
3-6mm <	±0.40
6-10mm <	±0.50
10-18mm <	±0.60
18-30mm <	±0.80
30-50mm <	±1.00
50-80mm <	±1.20
80-120mm <	±1.40
120-180mm <	±1.60
180-250mm <	±2.00
250-315mm <	±2.50
315-400mm <	±3.00
400-500mm <	±3.50
>500mm	±0.80%

- Remark : 1. P/N : GV-HYS1153  
 2. Color : Yellow  
 3. Material : SIR- 405 Silicone  
 4. Tolerance Standard : According to MS81-2031 (2nd Level)

△	Drawing Release	2007/3/22	OK	
Mark	Remark	Date	Approval	

**AUTOMOTIVE  
CONNECTORS**