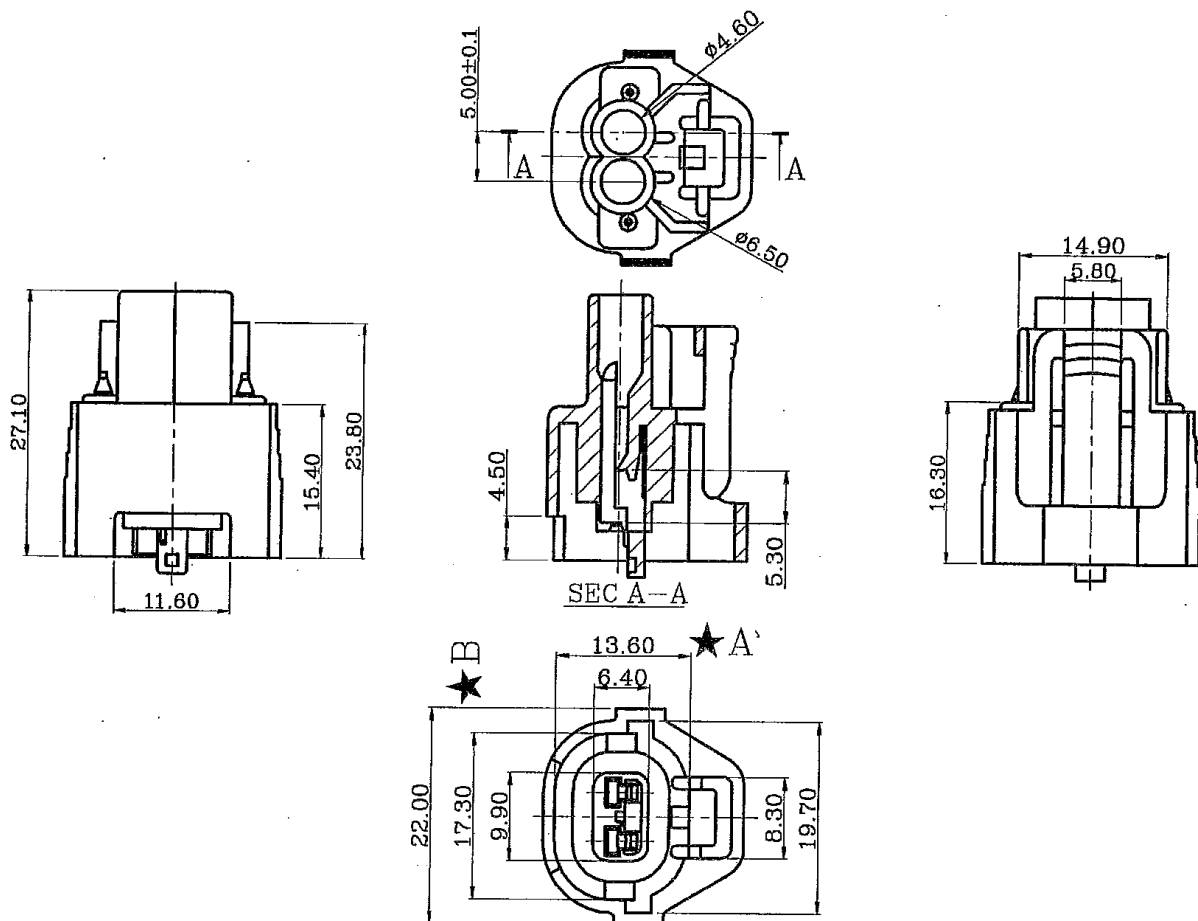


PART NO.:	3HS02FGY
Lock part:	3HS02FGY-C
Master Part:	3HS02FGY-M
Color:	Grey
Material:	PBT
MALE / FEMALE:	N/A
Sealed / Unsealed:	With
Insulator O.D.	N/A
Quantity per package:	200

Drawing

3HS02FGY-M



3HS02FGY-C

