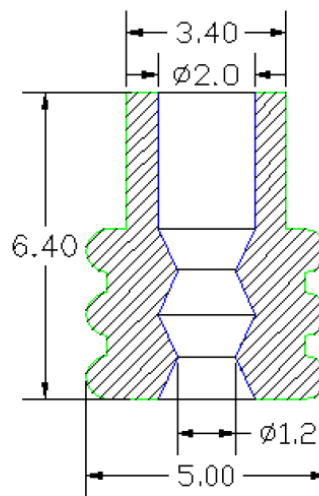


SEAL HY1027



Standard Tolerance Chart	
Size	Tolerance
1-3mm <	±0.30
3-6mm <	±0.40
6-10mm <	±0.50
10-18mm <	±0.60
18-30mm <	±0.80
30-50mm <	±1.00
50-80mm <	±1.20
80-120mm <	±1.40
120-180mm <	±1.60
180-250mm <	±2.00
250-315mm <	±2.50
315-400mm <	±3.00
400-500mm <	±3.50
>500mm	±0.80%

△	Drawing Release	2004/4/1	OK	
	Mark	Remark	Date	Approval

- Remark : 1. P/N : GV-HYS1027
 2. Color : Blue
 3. Material : SIR- 405 Silicone
 4. Tolerance Standard : According to MS81-2031 (2nd Level)

AUTOMOTIVE CONNECTORS