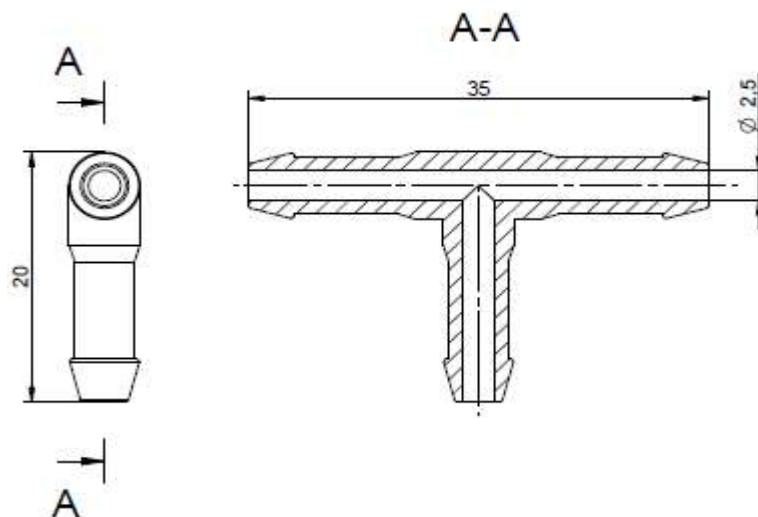


PART NO.:	SC-B002.01
Material:	POLIACETAL - very low moisture absorption - high dimension stability - high crawl resistance - very good machining properties - good glide characteristic - high mechanical resistance
MALE / FEMALE:	N/A
Sealed / Unsealed:	Without
Color:	White or Black
Quantity per package:	100

## Drawing

AUTOMOTIVE  
CONNECTORS