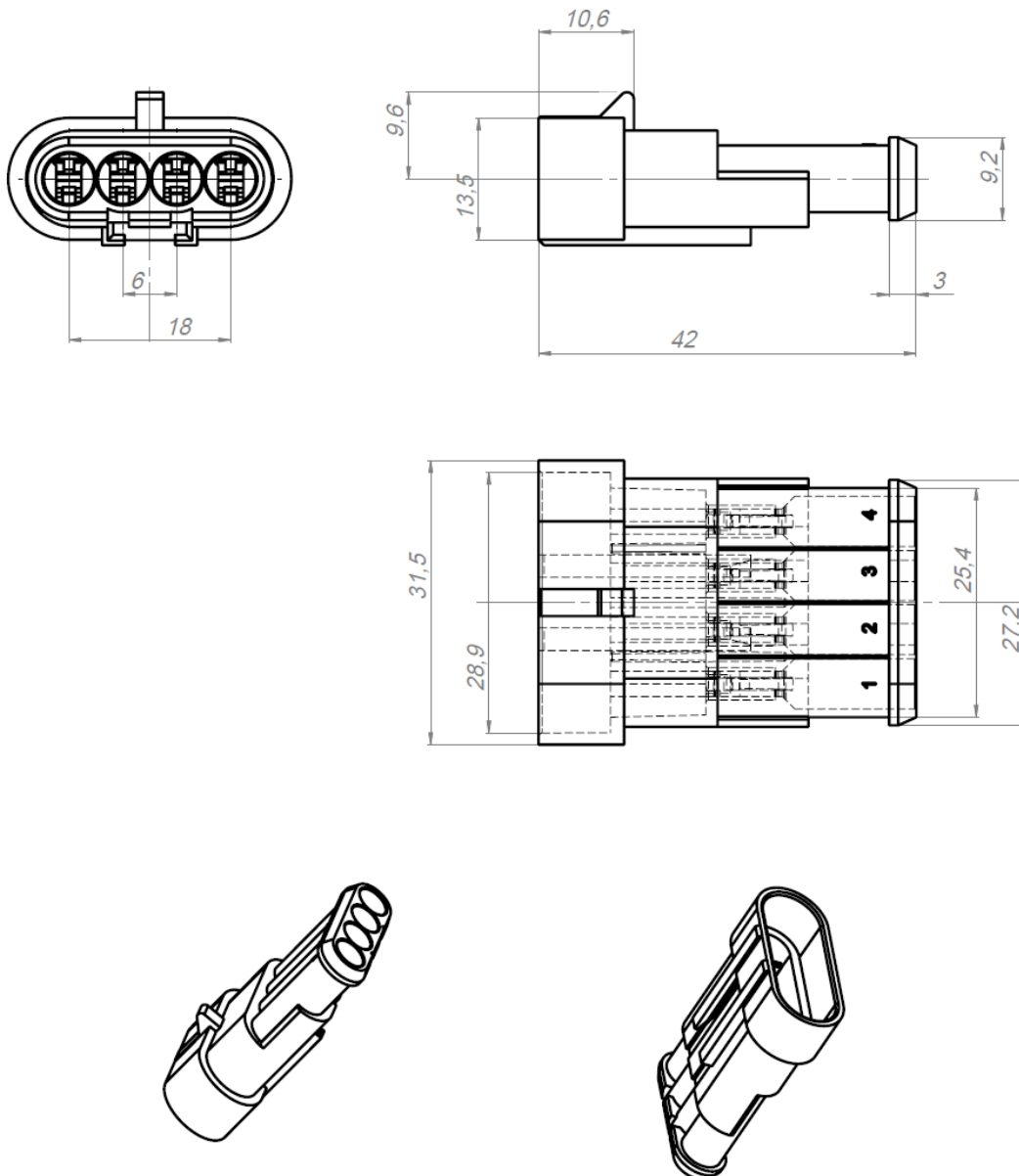


**Part Number : SC-SSA04MB.01 (main part)**  
**Product Category : Housing Male**  
**Family Name/Series : 060[1.50mm]**  
**Material: PA66 - ZYTEL MT409AHS BK010 (Dupont)**

**Temperature range: +110C ... -20C (according to certificate no. W/092014/0003)**  
**Waterproof: IP55 (according to certificate of conformity no. Z/12.027/13 in connection with EN 60529:1991+A1:2000 standard)**



**Part Number : SC-SSA04MB.02 (lock part)**  
**Product Category : Housing Male**  
**Family Name/Series : 060[1.50mm]**  
**Material: PA66 - ZYTEL 70G30HSLR NC010 (Dupont)**

