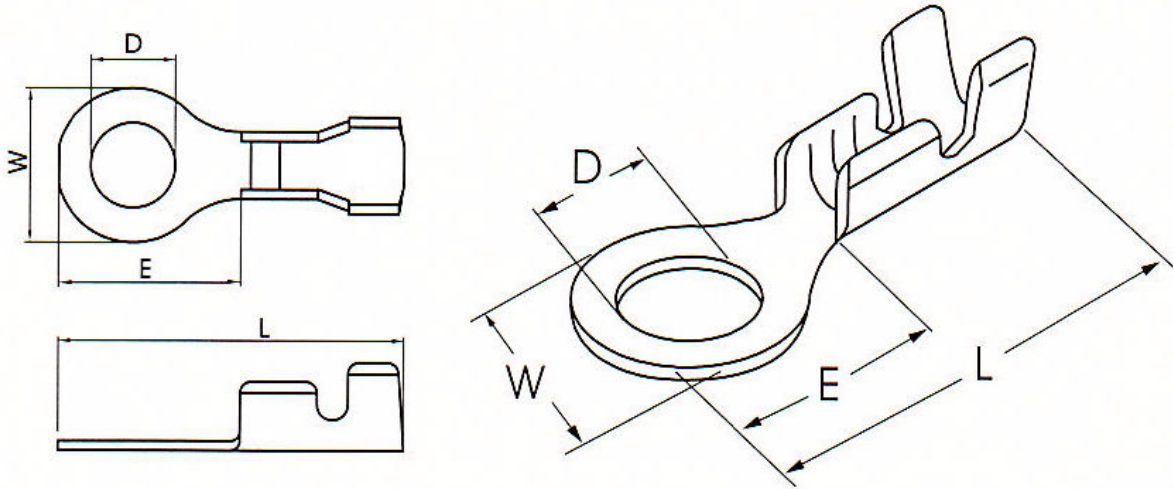


RING TOUNGE TERMINALS A TYPE



Part no.	Material	Treatment	Wire range		Dimensions [mm]				Thickness [mm]	Package
			[mm]	AWG						
69261-51	BS	0-tin plated 2-no plated	0,5~2,0	20~14	6,1	9,2	19,2	11,6	0,5	6.000
69264-51	BS	0-tin plated 2-no plated	0,5~2,0	20~14	6,4	9,2	19,2	11,6	0,5	6.000